

AccuRAID series Hardware Installation Manual

Copyright ©2016

This guide and any accompanying software and firmware are copyrighted. No parts of this publication may be reproduced, stored on a retrieval system, or transmitted, in any form or by any means, electronic, mechanical, photocopy, recording, or otherwise, without prior written consent except for copies retained by the purchaser for backup purposes.

All rights Reserved- Printed in Taiwan.

Notice

We make no warranties with respect to this documentation either express or implied and provide it "as it". This includes but is not limited to any implied warranties of merchantability and fitness for a particular purpose. The information in this document is subject to change without notice. We assume no responsibility for any errors that may appear in this document.

The manufacturer shall not be liable for any damage, or for the loss of information resulting from the performance or use of the information contained herein

Trademarks

Product names used herein are for identification purposes only and may be the trademarks of their respective companies. All trademarks or registered trademarks are properties of their respective owners.

Regulatory information



This drive is in conformity with the EMC directive.

Federal Communications Commission (FCC) **Statement**

This equipment has been tested and found to comply with the limits for a Class A digital device, pursuant to part 15 of the FCC Rules.

Those limits are designed to provide reasonable protection against harmful interference in a residential installation. This equipment generates, uses and can radiate radio frequency energy and, if not installed and used in accordance with the instructions, may cause harmful interference to radio communications. However, there is no guarantee that interference will not occur in a particular installation. If this equipment does cause harmful interference to radio or television reception, which can be determined by turning the equipment off and on, the user is encouraged to try to correct the interference by one or more of the following measures:

Reorient or relocate the receiving antennas.

Increase the separation between the equipment and receiver.

Connect the equipment into an outlet on a circuit different from that to which the receiver is connected.

Consult the dealer or an experienced radio/TV technician for help.

Warning:

A shielded-type power cord is required in order to meet FCC emission limits and also to prevent interference to the nearby radio and television reception. It is essential that only the supplied power cord be used.

Use only shielded cables to connect I/O devices to this equipment.

You are cautioned that changes or modifications not expressly approved by the party responsible for compliance could void your authority to operate the equipment.

About This Hardware Installation Guide

Welcome to Hardware Installation Guide. This guide is designed to be used as step-by-step instructions for installation of your subsystem, and covers everything you need to know in learning how to operation, troubleshooting and future upgrades. For the detail about how to configure your subsystem, please refer to the Software Operation manual.

Symbols in Text

These symbols may be found in the text of this guide. They have the following meanings.



Caution

Caution

This icons indicates that failure to follow directions could result in personal injury, damage to your equipment or loss of information.



NOTE

Note

This icon presents commentary, sidelights, or interesting points of information.

Important terms, commands and programs are put in **Boldface** font.

Screen text is given in `screen` font.

Contents

ABOUT THIS HARDWARE INSTALLATION GUIDE.....	IV
SYMBOLS IN TEXT.....	IV
CONTENTS.....	V
CHAPTER 1. INTRODUCTION	1
MODEL VARIATIONS.....	1
FEATURES	2
<i>Understanding the AccuRAID RAID subsystem</i>	<i>3</i>
<i>Front Panel Overview.....</i>	<i>3</i>
<i>Rear Panel Overview.....</i>	<i>7</i>
CHAPTER 2. INSTALLATION.....	18
UNPACKING & CHECKING THE EQUIPMENT.....	18
WHAT ELSE YOU NEED	19
ESD PRECAUTION.....	19
INSTALLING HARD DISKS	20
INSTALL THE ACCU RAID RAID SUBSYSTEM IN A RACK.....	22
SYSTEM CONNECTION.....	24
CONNECTION TO ACCU RAID RAID SUBSYSTEM WITH SAS JBODs ..	25
TURNING ON FOR THE FIRST TIME.....	27
TURNING OFF	27
CHAPTER 3. A TROUBLE SHOOTING	28
REPLACE THE CONTROLLER.....	28
REPLACING / UPGRADING DIMM.....	29
<i>Specifications:.....</i>	<i>29</i>
<i>3.5" & 2.5" RAID series.....</i>	<i>29</i>
<i>Installing DIMM</i>	<i>30</i>
HOT SWAPPING TO REPLACE THE FAN MODULE.....	31
HOT SWAPPING TO REPLACE THE POWER MODULE.....	32
APPENDIX A	33
CONNECTORS	33
APPENDIX B.....	36
BATTERY BACKUP MODULE (BBM)	36

Chapter 1. INTRODUCTION

This chapter introduces the features and capabilities of AccuRAID series RAID subsystems.

You will find:

- ⇒ **A full introduction to your AccuRAID RAID subsystem.**
- ⇒ **Details of key features and supplied accessories.**

Model Variations

There are fifteen available models in AccuRAID RAID storage subsystem series; which utilize Dual 12Gb miniSAS HD/ Quad 16G Fibre / Dual 16Gb Fibre / Dual 10Gb iSCSI as Host interface per controller, each with 12, 16, or 24 device bays.

Model Name	Host Interface	Device bays	Controller Numbers
AR424X12	2 x miniSAS HD	24 bays	1 (Upgradeable, Up to 2)
AR424F16Q	4 x 16Gbps FC	24 bays	1 (Upgradeable, Up to 2)
AR424F16	2 x 16Gbps FC	24 bays	1 (Upgradeable, Up to 2)
AR424i6A	2 x 10Gb iSCSI	24 bays	1 (Upgradeable, Up to 2)
AR316X12	2 x miniSAS HD	16 bays	1 (Upgradeable, Up to 2)
AR316F16Q	4 x 16Gbps FC	16 bays	1 (Upgradeable, Up to 2)
AR316F16	2 x 16Gbps FC	16 bays	1 (Upgradeable, Up to 2)
AR316i6A	2 x 10Gb iSCSI	16 bays	1 (Upgradeable, Up to 2)
AR212F16Q	4 x 16Gbps FC	12 bays	1 (Upgradeable, Up to 2)

AR212F16	2 x 16Gbps FC	12 bays	1 (Upgradeable, Up to 2)
AR212i6A	2 x 10Gb iSCSI	12 bays	1 (Upgradeable, Up to 2)
AR224X12	2 x miniSAS HD	24 bays	1 (Upgradeable, Up to 2)
AR224F16Q	4 x 16Gbps FC	24 bays	1 (Upgradeable, Up to 2)
AR224F16	2 x 16Gbps FC	24 bays	1 (Upgradeable, Up to 2)
AR224i6A	2 x 10Gb iSCSI	24 bays	1 (Upgradeable, Up to 2)

Features

The AccuRAID series RAID Subsystem is designed to meet today's high volume, performance storage requirements from rapidly changing business environment. It provides a maximum data protection and exceptional performance in a storage subsystem. Target usage ranges are set from small business to departmental and corporate server needs. The RAID systems is designed for easy integration, smooth data expansion and server migration.

The AccuRAID series supports the following features:

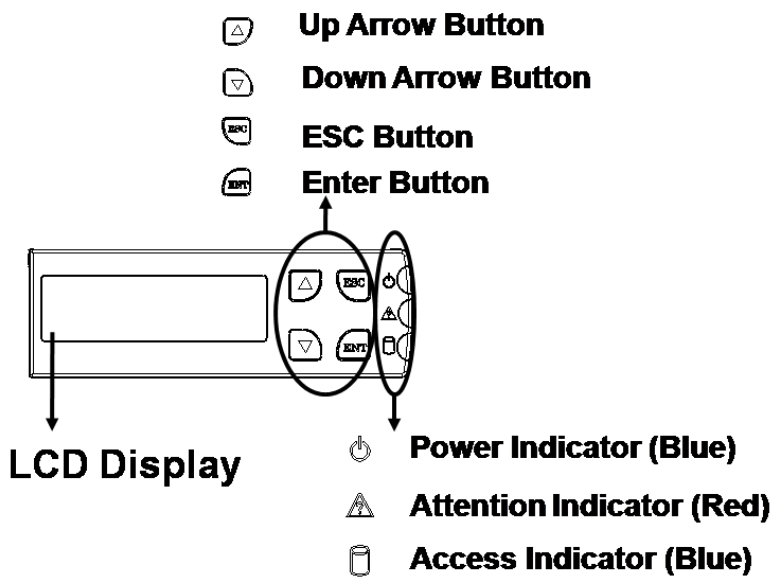
- Two 12Gbps mini-SAS HD / Quad 16Gbps Fibre ports / Two 16Gbps Fibre ports / Two 10Gbps iSCSI ports as Host per controller (Depend on Models)
- 12Gbps SAS / 6Gbps SATA backplane supported.
- RAID Levels: 0, 1, 1E, 3, 5, 6, 50, 60 & JBOD.
- Multiple RAID selection.
- Online RAID level/stripe size migration.
- Online Array roaming.
- Globe and dedicated Hot Spare Disk / Pass through Disk support.
- Disk Scrubbing/Array verify scheduling.
- When connecting with JBODs, Max 256 SAS devices.
- Max 128 LUNs (Volume set) per controller.
- Online capacity expansion and RAID level migration simultaneously.
- Online Volume Set growth

- Support spin down drivers when not in use to extend service life (MAID).
- Instant availability and background initialization.
- Automatic drive insertion / removal detection and rebuilding.

Understanding the AccuRAID RAID subsystem

Front Panel Overview

LCD Module



Function keys. (ENT, ESC, Scroll up, Scroll Down)

Keys	Descriptions
Up Arrow	To scroll upward through the menu items
Down Arrow	To scroll downward through the menu items

(ENT) Enter	To confirm a selected item
(ESC) ESC	To exit a sub-menu and return to previous menu.

There are three LED indicators on the front panel. Following table provides a summary of the meanings of these LED indicators:

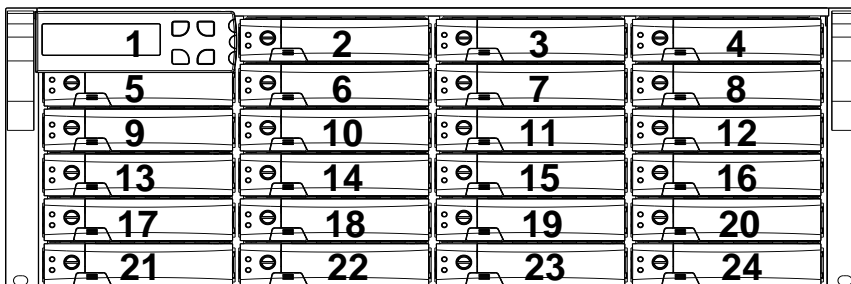
LED Indicator	Normal Status	Problem Indication
Power On indicator	Bright Blue	This LED does not light up after power switched on
Fail Indicator	LED never light up	LED light up as Red.
Data Access Indicator	Blink blue during host computer accessing the RAID subsystem.	LED never flickers

For additional information on using the LCD panel and keypad to configure the RAID see Software manual "LCD Panel Configuration" on Chapter 3.

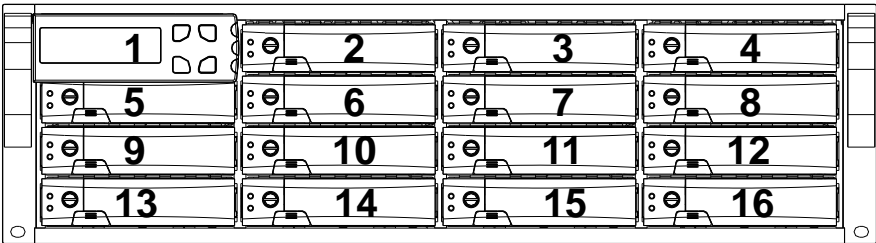
Driver Bay numbering convention

The enclosure bay numbering convention is shown in following figure. A bay is designed to house a single 3.5-inch hard disk drive or 2.5-inch hard disk drive in his carrier module.

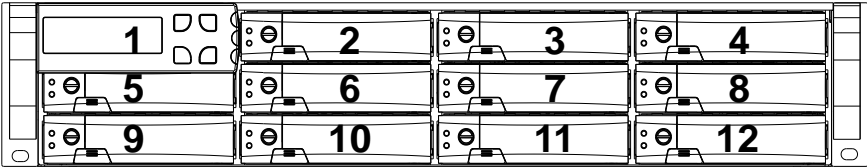
4U 24 BAY



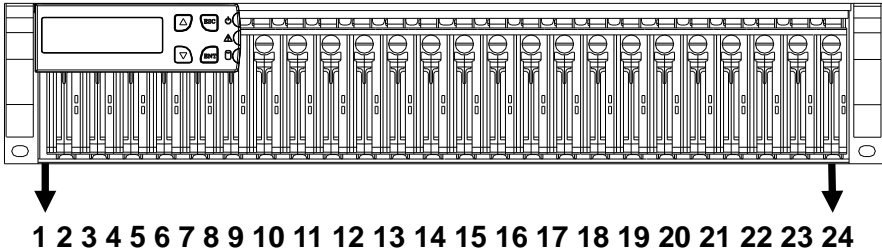
3U 16 BAY



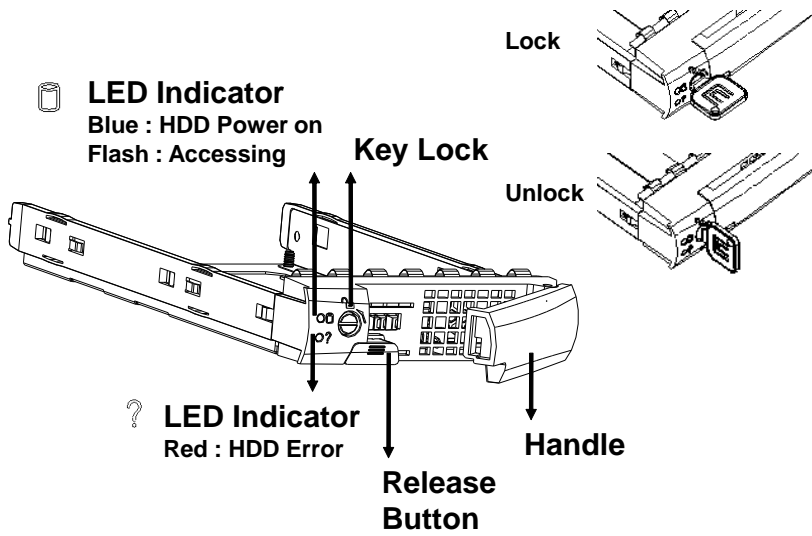
2U 12 BAY



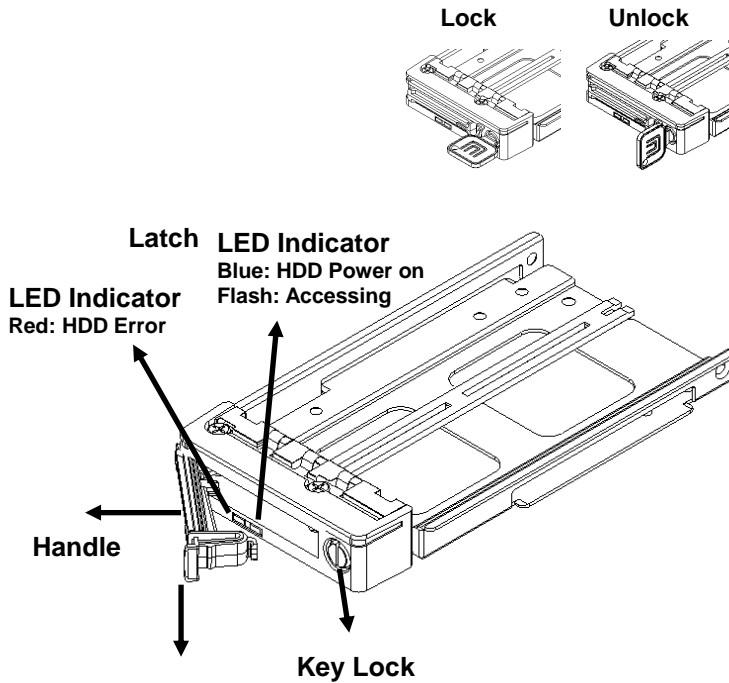
2U 24 bay



Drive Bay for 3.5" Series

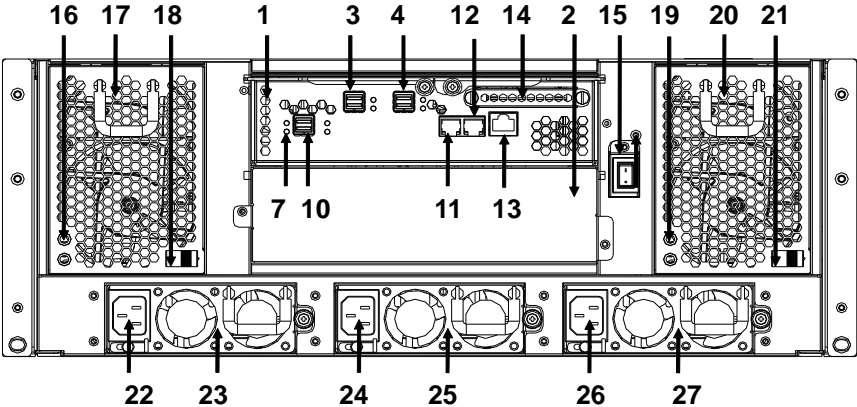


Drive Bay for 2.5" Series

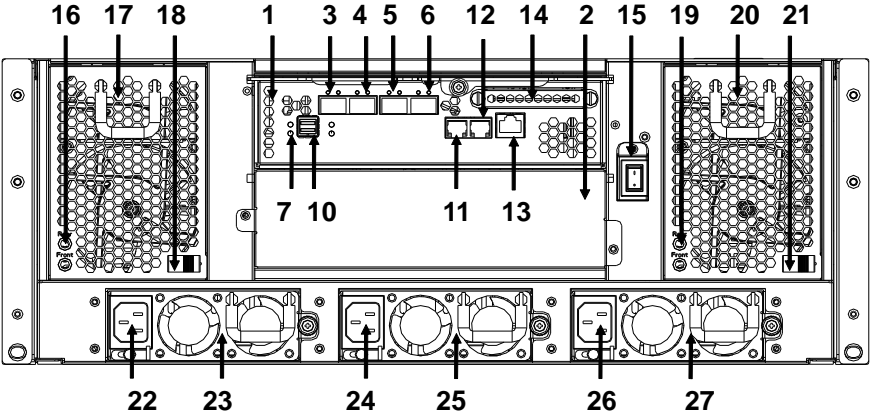


Rear Panel Overview

AR424X12(R) SAS-SAS/SATA RAID SUBSYSTEM

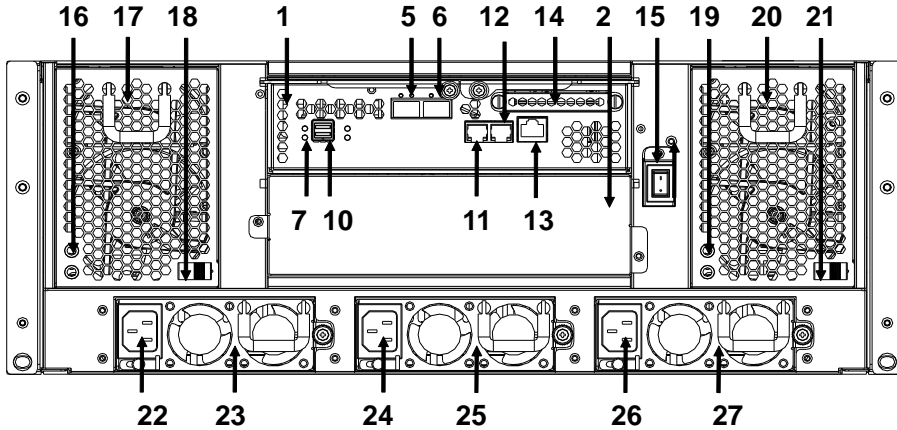


AR424F16Q(R) FC-SAS/SATA RAID SUBSYSTEM



AR424F16(R) FC-SAS/SATA RAID SUBSYSTEM

AR424i6A(R) 10Gb iSCSI-SAS/SATA RAID SUBSYSTEM



- 1. Controller Box 1.
- 2. Controller Box 2

AR424X12(R):

- 3. SAS CH 1 & LED Indicator
- 4. SAS CH 0 & LED Indicator

LED	Colors	Indicate
SAS	Green	Link
	Blue + Blink	Access

AR424F16Q(R):

- 3. FC_CH_3 & LED Indicator
- 4. FC_CH_2 & LED Indicator
- 5. FC_CH_1 & LED Indicator
- 6. FC_CH_0 & LED Indicator

LED	Colors	Indicate
FC	Green	16 Gbps Link
	Amber	8 Gbps Link
	Green+Amber+Blink	4 Gbps Link
	Blue + Blink	Access

- AR424F16(R):
5. FC_CH_1 & LED Indicator
 6. FC_CH_0 & LED Indicator

LED	Colors	Indicate
FC	Green	16 Gbps Link
	Amber	8 Gbps Link
	Green+Amber+Blink	4 Gbps Link
	Blue + Blink	Access

- AR424i6A(R):
5. iSCSI_CH_1 & LED Indicator
 6. iSCSI_CH_0 & LED Indicator

LED	Colors	Indicate
iSCSI	Green	10 Gbps Link
	Amber	1 Gbps Link
	Blue + Blink	Access

7. Raid Controller Status LED & Fault LED Indicator

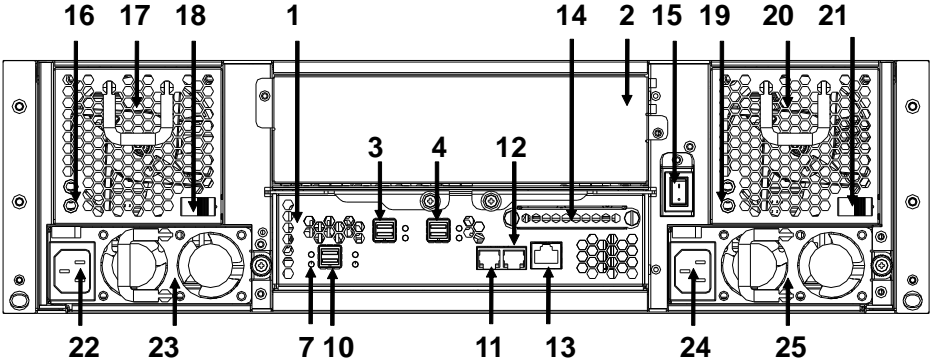
LED	Colors	Indicate
Status	Green + Blink	Raid Controller OK
Fault	Red	Raid Controller Fault

8. (Reserved)
9. (Reserved)
10. SAS Expand Port 0 & LED Indicator

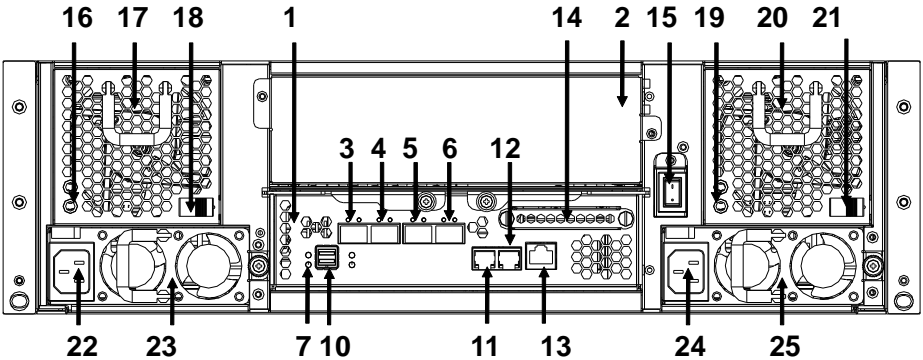
LED	Colors	Indicate
SAS	Green	Link
	Blue + Blink	Access

11. Console
12. Terminal
13. LAN port
14. Battery back module (Option)
15. Power Switch
16. FAN failure indicator (Rear / Front)
17. FAN Module 1
18. FAN Module 1 latch
19. FAN failure indicator (Rear / Front)
20. FAN Module 2
21. FAN Module 2 latch
22. AC inlet 1 & Latch
23. Power Module 1
24. AC inlet 2 & Latch
25. Power Module 2
26. AC inlet 3 & Latch
27. Power Module 3

AR316X12(R) SAS-SAS/SATA RAID SUBSYSTEM

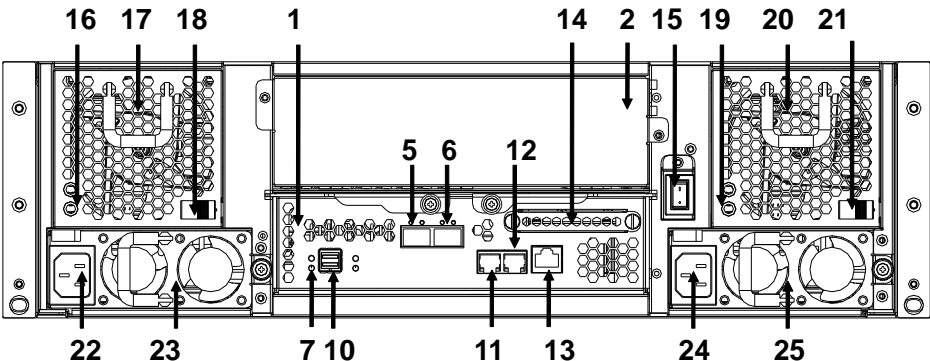


AR316F16Q(R) FC-SAS/SATA RAID SUBSYSTEM



AR316F16(R) FC-SAS/SATA RAID SUBSYSTEM

AR316i6A(R) 10Gb iSCSI-SAS/SATA RAID SUBSYSTEM



1. Controller Box 1.

2. Controller Box 2

AR316X12(R):

3. SAS CH 1 & LED Indicator

4. SAS CH 0 & LED Indicator

LED	Colors	Indicate
SAS	Green	Link
	Blue + Blink	Access

AR316F16Q(R):

3. FC_CH_3 & LED Indicator

4. FC_CH_2 & LED Indicator

5. FC_CH_1 & LED Indicator

6. FC_CH_0 & LED Indicator

LED	Colors	Indicate
FC	Green	16 Gbps Link
	Amber	8 Gbps Link
	Green+Amber+Blink	4 Gbps Link
	Blue + Blink	Access

AR316F16(R):

5. FC_CH_1 & LED Indicator

6. FC_CH_0 & LED Indicator

LED	Colors	Indicate
FC	Green	16 Gbps Link
	Amber	8 Gbps Link
	Green+Amber+Blink	4 Gbps Link
	Blue + Blink	Access

AR316i6A(R):

5. iSCSI_CH_1 & LED Indicator

6. iSCSI_CH_0 & LED Indicator

LED	Colors	Indicate
-----	--------	----------

iSCSI	Green	10 Gbps Link
	Amber	1 Gbps Link
	Blue + Blink	Access

7. Raid Controller Status LED & Fault LED Indicator

LED	Colors	Indicate
Status	Green + Blink	Raid Controller OK
Fault	Red	Raid Controller Fault

8. (Reserved)

9. (Reserved)

10. SAS Expand Port 0 & LED Indicator

LED	Colors	Indicate
SAS	Green	Link
	Blue + Blink	Access

11. Console

12. Terminal

13. LAN port

14. Battery Backup Module

15. Power Switch

16. FAN failure indicator (Rear / Front)

17. FAN Module 1

18. FAN Module 1 latch

19. FAN failure indicator (Rear / Front)

20. FAN Module 2

21. FAN Module 2 latch

22. AC inlet 1 & Latch

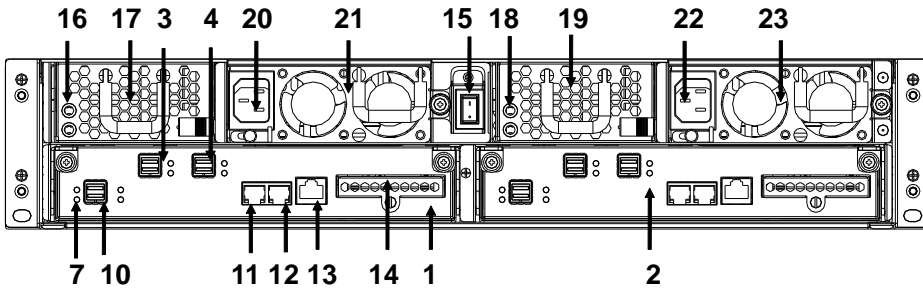
23. Power Module 1

24. AC inlet 2 & Latch

25. Power Module 2

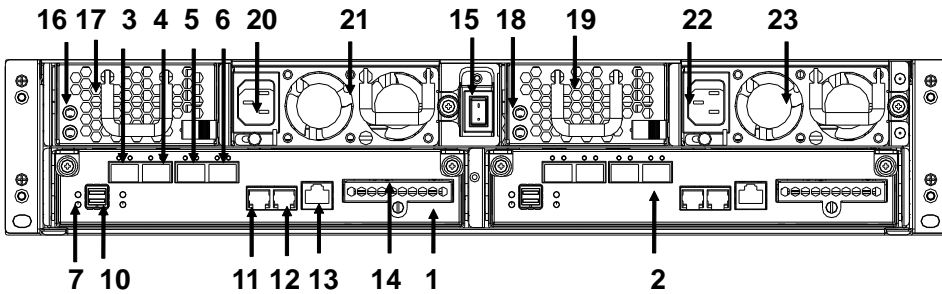
AR212X12(R) SAS-SAS/SATA RAID SUBSYSTEM

AR224X12(R) SAS-SAS/SATA RAID SUBSYSTEM



AR212F16Q(R) FC-SAS/SATA RAID SUBSYSTEM

AR212F16Q(R) FC-SAS/SATA RAID SUBSYSTEM

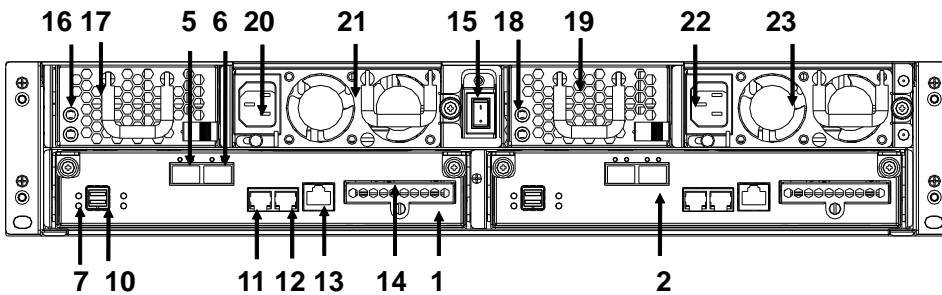


AR212F16(R) FC-SAS/SATA RAID SUBSYSTEM

AR212F16(R) FC-SAS/SATA RAID SUBSYSTEM

AR212i6A(R) 10Gb iSCSI-SAS/SATA RAID SUBSYSTEM

AR212i6A(R) 10Gb iSCSI-SAS/SATA RAID SUBSYSTEM



1. Controller Box 1.

2. Controller Box 2

AR224X12(R)/ AR212X12(R)

3. SAS CH 1 & LED Indicator

4. SAS CH 0 & LED Indicator

LED	Colors	Indicate
SAS	Green	Link
	Blue + Blink	Access

AR224F16Q(R)/ AR212F16Q(R) :

3. FC_CH_3 & LED Indicator

4. FC_CH_2 & LED Indicator

5. FC_CH_1 & LED Indicator

6. FC_CH_0 & LED Indicator

LED	Colors	Indicate
FC	Green	16 Gbps Link
	Amber	8 Gbps Link
	Green+Amber+Blink	4 Gbps Link
	Blue + Blink	Access

AR224F16(R)/AR212F16(R) :

5. FC_CH_1 & LED Indicator

6. FC_CH_0 & LED Indicator

LED	Colors	Indicate
FC	Green	16 Gbps Link
	Amber	8 Gbps Link
	Green+Amber+Blink	4 Gbps Link
	Blue + Blink	Access

AR224i6A(R)\ AR212i6A(R) :

5. iSCSI_CH_1 & LED Indicator

6. iSCSI_CH_0 & LED Indicator

LED	Colors	Indicate
-----	--------	----------

FC	Green	10 Gbps Link
	Amber	1 Gbps Link
	Blue + Blink	Access

7. Raid Controller Status LED & Fault LED Indicator

LED	Colors	Indicate
Status	Green + Blink	Raid Controller OK
Fault	Red	Raid Controller Fault

8. (Reserved)

9. (Reserved)

10. SAS Expand Port 0 & LED Indicator

LED	Colors	Indicate
SAS	Green	Link
	Blue + Blink	Access

11. Console

12. Terminal

13. LAN port

14. Battery Backup Module

15. Power Switch

16. FAN failure indicator (Rear / Front)

17. FAN Module 1

18. FAN failure indicator (Rear / Front)

19. FAN Module 2

20. AC inlet 1 & Latch

21. Power Module 1

22. AC inlet 2 & Latch

23. Power Module 2

Chapter 2. INSTALLATION

This chapter presents:

- ⇒ **Instructions on unpacking & checking the equipment**
- ⇒ **Instructions on how to install Hard disk drive**
- ⇒ **Instructions on how to install AccuRAID RAID in a Rack.**
- ⇒ **Instructions on how to connect AccuRAID RAID.**

Unpacking & checking the Equipment

Before unpacking the AccuRAID RAID subsystem, prepare a clean, stable surface to put on the contents of AccuRAID RAID shipping container. Altogether, you should find following items in the package:

AccuRAID Fibre to SAS/SATA RAID Subsystem:

- AccuRAID RAID subsystem x1
- CD-ROM x 1 (Includes Hardware Installation Guide, Software operation Manual & HTTP Proxy Server utility for Web browser-based Configuration).
- Serial cable x1
- Key for Drive Bay x 4
- Power Cord x 2 (2U 12 BAY & 3U 16 BAY & 2U 24 bay), Power Cord x 3 (4U 24 BAY)
- Drive Bay, (2U 12 BAY x 12, 3U 16 BAY x 16, 4U 24 BAY x 24, 2U 24 bay x 24)
- Rails for Rack
- Mounting screws : for 3.5" disks (bag) × 1 / for 2.5" disks (bag) × 1

AccuRAID SAS to SAS/SATA RAID Subsystem :

- AccuRAID RAID subsystem x1
- CD-ROM x 1 (Includes Hardware Installation Guide, Software operation Manual & HTTP Proxy Server utility for Web browser-based Configuration).
- Serial cable x1
- Key for Drive Bay x 4
- Power Cord x 2 (2U 12 BAY and 3U 16 BAY & 2U 24BAY), Power Cord x 3 (4U 24 BAY)
- SAS cable (SFF-8644) x 1 per controller (For SAS model only)
- Drive Bay, (2U 12 BAY x 12, 3U 16 BAY x 16, 4U 24 BAY x 24, 2U 24BAY x 25)
- Rails for Rack
- Mounting screws : for 3.5" disks (bag) × 1 / for 2.5" disks (bag) × 1



NOTE

To avoid the unmatched connector type between the Fibre HBA in the Host computer and AccuRAID RAID, AccuRAID RAID doesn't include the Fibre cable with the standard shipping.

What else you need

- Hard disk drives (different RAID levels requires different numbers of HDDs. Refer to Software Operation manual for more detail information).
- Host computer with SAS or Fibre interface.
- Dedicated terminal or PC with third party communication software that supports ANSI terminal emulation (required for viewing Monitor Utility)

ESD Precaution

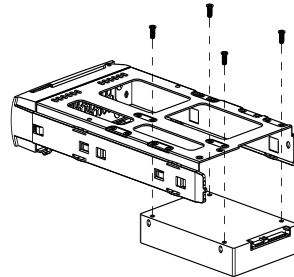
Use a suitable anti-static wrist or ankle strap and observe all conventional ESD precaution when handle AccuRAID RAID's modules and components. Avoid contact with backplane components and module connectors.

Installing hard disks

The AccuRAID RAID series includes 12/16/24 hot swappable drive bays. The following sections describe how to install disks into AccuRAID RAID subsystems.

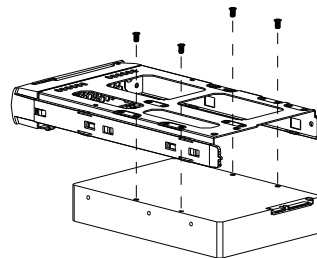
Loading 2.5" Hard Disk to the drive bay. (for AN Series)

1. Put 2.5 HDD into the bay.
2. Fasten all 4 screws to mount HDD in the bay and make sure the HDD is properly tightened.



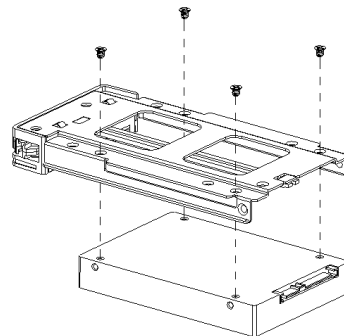
Loading 3.5" Hard Disk to the drive bay. (for AN Series)

1. Put 3.5 HDD into the bay.
2. Fasten all 4 screws to mount HDD in the bay and make sure the HDD is properly tightened.



Loading 2.5" Hard Disk to the drive bay. (for AH Series)

1. Put 2.5 HDD into the bay.
2. Fasten all 4 screws to mount HDD in the bay and make sure the HDD is properly tightened.



Place drive bays back into the system

1. Slide in drive bay, make sure the handle is open fully.
2. Close the handle to engage the drive bay into the slot.



The hard drives in a RAID array should match in size and speed. All drives in any array should be identical models with the same firmware versions. RAID arrays can use any size drive, however the smallest drive will determine the size of the array.



- 1. Only use the screws offered with AccuRAID RAID subsystem. Longer screws might cause the drive damage.*
- 2. All the drive bays (with or without hard drive) must be placed in the AccuRAID subsystem. AccuRAID's cooling system is designed with full of drive bays. Missing drive bays might cause the subsystem damage.*

Install The AccuRAID RAID subsystem in a Rack

You are shipped one rackmounting kit for each AccuRAID subsystem that you intend to rackmount. AccuRAID subsystem is designed for installation into a industry-standard 19-inch rackmount cabinet. Following the use of this section for installing the AccuRAID subsystem into a Rack

Install the Slide Rails

1. Combine Left slide rail and rear slide rail.
2. Measure the depth of the rack enclosure, then fasten 4 of P4*8M screws into M4 Locking nuts to fix the length.
3. Use T5*8M screws and PW14 washer to install the left slide on Front and rear Posts of Rack as Figure 1.
4. Repeat procedure 1 ~ 3 to install the right Slide into the Rack.

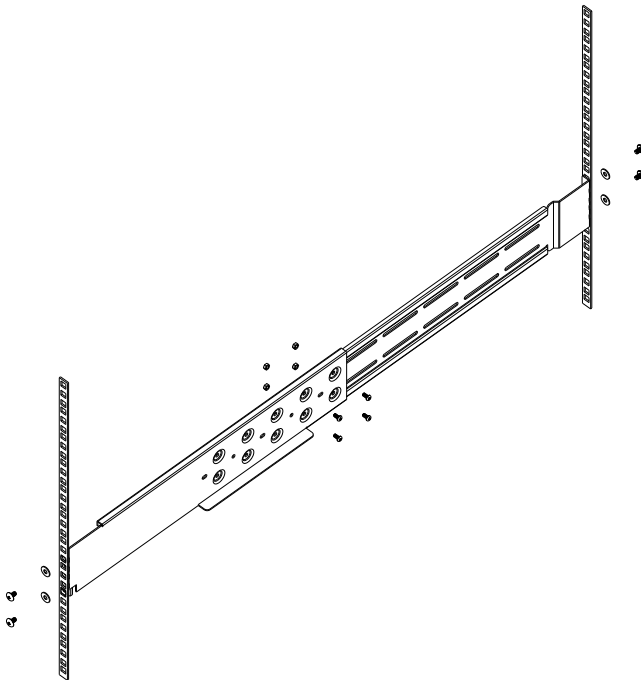


Figure 1.

Place the AccuRAID Subsystem into the rack

1. Lift the subsystem enclosure and slide it slowly and gently along the slide rail into the rack as Figure 2.

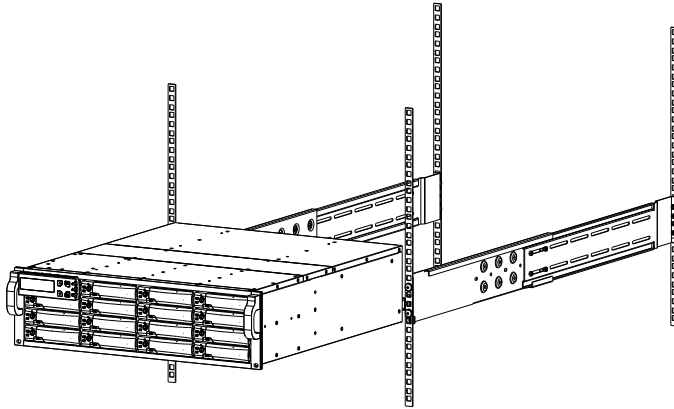


Figure 2.

2. Fasten two M5 screws through the chassis ears in the front side of the chassis to secure the AccuRAID subsystem in the rack as Figure 3.

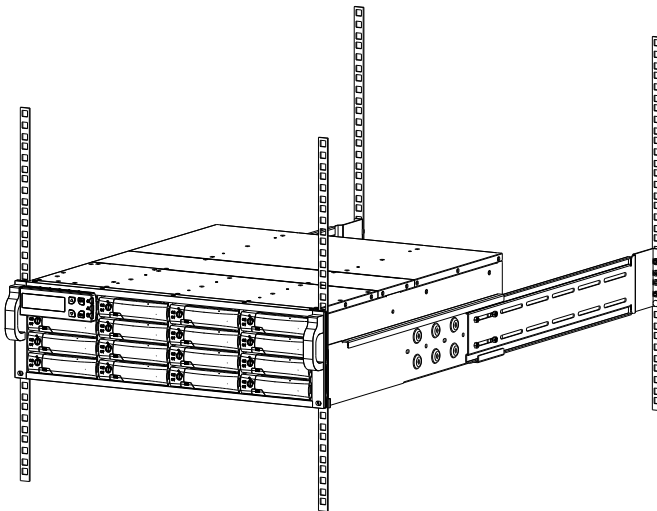


Figure 3.



NOTE

The AccuRAID subsystem is heavy, two person are required to move the system in the procedure.

System Connection

Connect all cables and power cord as shown below:

Cable	AccuRAID RAID	Device	Purpose
Serial Cable	Terminal Port	ANSI Terminal or PC with Terminal emulator.	Configuration Utility
Serial Cable	Console Port	ANSI Terminal or a PC with Terminal emulator.	Debug port, to check and monitoring all of status of RAID subsystem.
Fibre cable / MiniSAS HD Cable	Primary FC-AL/SAS Secondly FC-AL / SAS	FC-AL / SAS HBA of Host computer	Host interface between RAID and Host computer
Power Cord	Power inlet	A/C power outlet	A/C power input
RJ 45 Cable	Ethernet Port	Switch or HUB	Connect to Internet.
MiniSAS HD Cable	SAS Expander Port	Raid System	Connect to SAS Expander



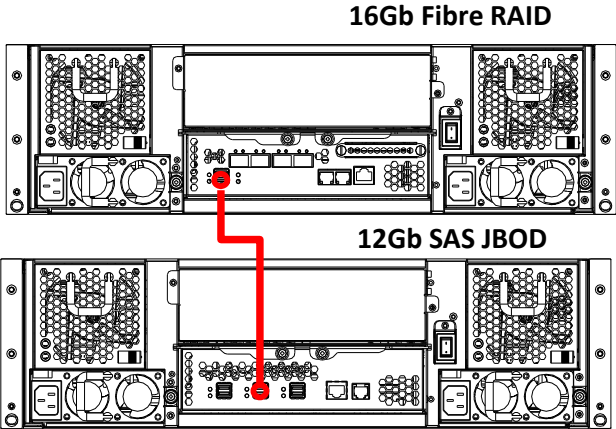
NOTE

AccuRAID RAID subsystem with redundancy controllers supporting require the installation of MPIO (Multi pathing I/O) drivers for use with different operating systems. For more detail information, please check Chapter 6 of "Software Operation Manual".

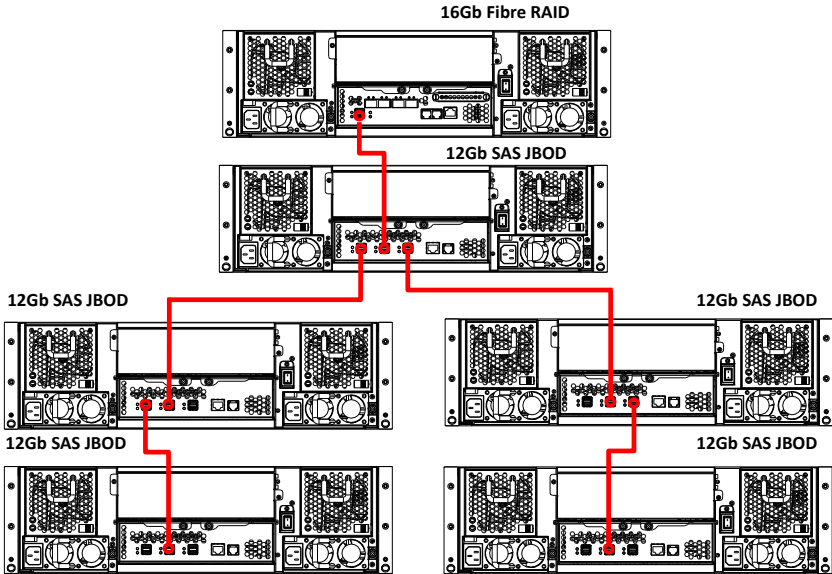
Connection to AccuRAID RAID subsystem with SAS JBODs

There are many topologies of SAS JBOD with AccuRAID RAID subsystems. Ways to implement are as below:

One SAS Raid subsystem with one SAS JBOD



One SAS Raid subsystem with more SAS JBODs



It supports up to four tiers and 256 drives.

- One RAID Set supports up to 32 HDDs
- One SAS Raid subsystem supports up to 128 Volumes
- One SAS Raid subsystem supports up to 256 SAS devices

There are four tiers within JBOD topology as above:

- First tier is a RAID System.
- Second tier is a SAS JBOD with a SAS CH0 on it. Connecting SAS CH0 to SAS exp. Port on RAID System via a Mini SAS to Mini SAS Cable.
- Third tier could be two SAS JBODs with a SAS CH0 port individually. One is connected to the SAS EXP. Port on the second tier SAS JBOD via a Mini SAS to Mini SAS Cable. Another is connected to the SAS CH1/E Port on the second tier SAS JBOD
- Fourth tier is a SAS JBOD with a SAS CH0 on it. Connecting SAS CH0 to SAS exp. Port on third tier SAS JBOD via a Mini SAS to Mini SAS Cable.



1. *AccuRAID RAID subsystem do not require the installation of different drivers for use with different operating systems. AccuRAID RAID is independent and transparent to the host operating system.*
 2. *It is often recommended to install the hard drive with same brand, model no., interface and capacity in this RAID subsystem.*
 3. *Please do not install SAS and SATA hard drives at the same time, as these hard drives spin at different speed and may lead to compatible issues or performance decline.*
 4. *RAID members need to be included at the same enclosure that means you need to create array in the same enclosure. RAID members across two or more enclosures would get some risks (for example: if mini-SAS cable get problem, more RAID members will be lost, volume sets belong to this Array may be failed. Shutdown RAID and JBOD to fix problem, after that, turn on JBOD and RAID system again and controller will get array back, but in some special case maybe it can't get array back)*
-

Turning on for the first time

When cabling is completed, RAID SYSTEM can be turned on. This should be done in the following order:

1. First turn on the power switch of JBODs.
2. Then turn on the power switch of RAID SYSTEM.
3. Power on and boot the host computer(s)

When RAID SYSTEM is running, you are ready to configure one or more RAID arrays. You have the following options:

1. Turn to Chapter 3 of “Software Operation Manual” to perform a quick setup of a single RAID array using the control panel.
2. Turn to Chapter 6 of “Software Operation Manual” to access the Monitor Utility. Once the Monitor Utility is accessed, you can perform a Quick Setup or complete configuration with Monitor Utility.
3. Turn to Chapter 5 of “Software Operation Manual” to perform a full configuration using the web browser.

Turning off

When turning off RAID SYSTEM, users are advised to first shut down the server, then power off RAID SYSTEM.

Chapter 3. A TROUBLE SHOOTING

This chapter contains trouble shooting procedures and suggestions to minimize their impact on the AccuRAID RAID operation :

⇒ **Instructions on how to replace the components of AccuRAID RAID subsystem.**

If the fault LED on the front panel and LCD of AccuRAID RAID lights red and LCD displays a error message, or if AccuRAID RAID's Internet manager indicates a fault, determine the reason for this alert immediately. Examine the component LEDs to see if any indicates a fault, then replace it as soon as possible.

Replace the Controller



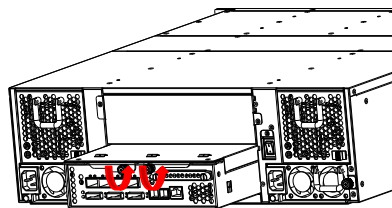
Caution

Read the replacing notices earlier in this chapter before proceeding with replacement.

This section provides instructions for the removal and installation of the RAID controller components indicated in the figure below. This section is for the reference of engineers. End users should not need to replace or remove components.

Removing the controller from AccuRAID 16bays and 24bays RAID :

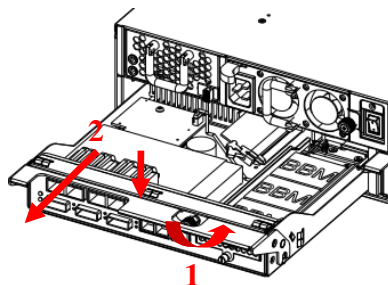
In order to access controller box, turn anti-clock wise to release two thumb screws, then use the eject bar to remove Controller box.



Removing the controller from AccuRAID 2U 12bay & 2U24Bay RAID :

In order to access controller box,

1. Turn anti-clock wise to release the thumb Screws.
2. Push down the use eject bar to remove Controller box.



Installing the controller into AccuRAID RAID:

Reverse the procedure of “**removing the controller**” to install the controller into AccuRAID RAID.

Then according to “Appendix C. Configuration table” on “Soft Operation Manual” to re-configure your RAID

Replacing / Upgrading DIMM

AccuRAID RAID 3.5” & 2.5” series are normally supplied with 2GB cache memory installed.



There's no set formula to determine how much cache memory to use, but as a general rule, a workstation, with mostly very large files, such as for audio or video editing and playback, graphics or CAD files, can benefit from a large cache. File servers, with multiple random access of varying file size, generally have little or no performance improvement with additional cache.

Specifications:

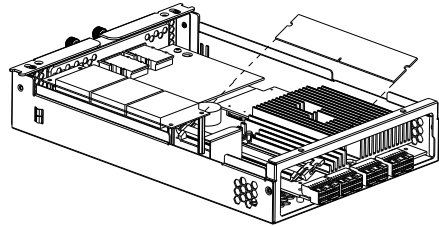
3.5” & 2.5” RAID series

Type	<ul style="list-style-type: none"> ◆ 240-pin DDR-III DIMM module (DDR III-1866Mhz) ◆ ECC, 2GB/4GB Module. ◆ 8GB Module, Dual Rank, Unbuffered.
Parity (ECC)	◆ With parity for data security.
Size	◆ From 2GB, 4GB & 8GB (Dual Rank).

Installing DIMM

To install a DIMM, ensure the system power is off and disconnected. Then:

1. Turn anti- lock wise to release two thumb screws, then use the eject bar to remove controller box, then open the cover.
2. Remove the BBM module.
3. Insert a memory card at a 45-degree angle into the memory card socket so that the gold teeth of the card are no longer visible.
4. Press the card down firmly until the latches lock it into place.



Caution

1. *Before starting any kind of hardware installation, please ensure that all power switches have been turned off and all power cords disconnected to prevent personal injury and damage to the hardware.*
2. *Use screws provided with AccuRAID system only. Longer or shorter screws may cause electric shorting or un-proper installed.*
3. *Static electricity can damage electronic components. To guard against such damage:*

Work in a static-free environment

Wear a grounded anti-static wrist strap

Store uninstalled components in anti-static bags

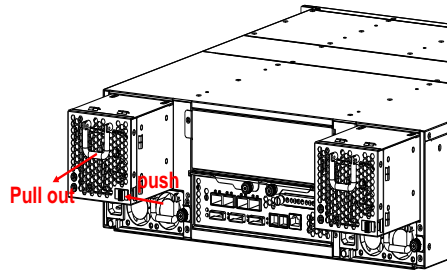
Handle PCBs by their edges and avoid touching chips and connectors.

Hot Swapping to replace the Fan Module

This section provides instructions for the removal and installation of the Fan Module indicated in the figure below.

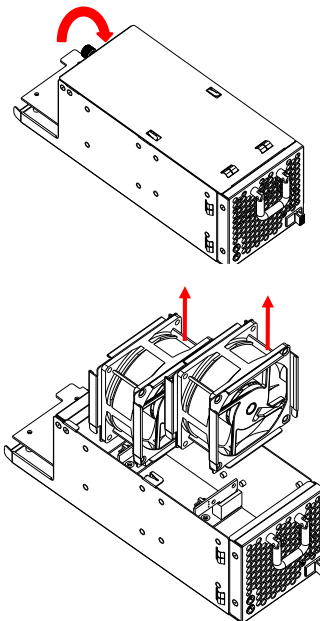
Removing the Fan Module from AccuRAID 16bays and 24bays subsystems :

Remove the Fan modules by slide the release button left and pull the module out of system.



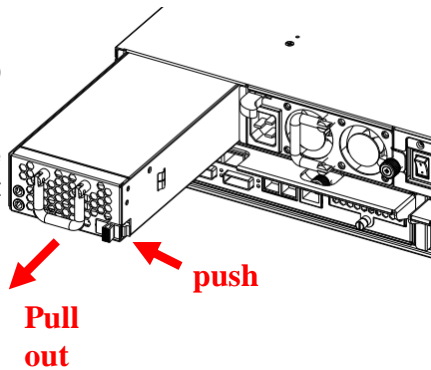
Replace the Fan in Fan module

1. There are two failure LEDs on the rear of Fan module. Check which LED lights to yellow.
2. Remove the Fan modules by anti-clock wise to release the thumb screw then slide it back and lifting off.
3. Release the screw to remove the defect fan.
4. Insert the spare Fan and fasten the screw.



Removing the Fan Module from AccuRAID 2U 12bays & 24Bay RAID subsystems :

Remove the Fan modules by slide the release button left and pull the module out of system,

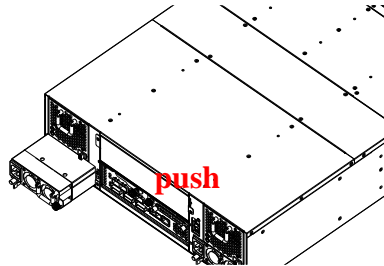


Hot Swapping to replace the Power Module

This section provides instructions for the removal and installation of the Power Module indicated in the figure below.

Removing the Power Module

Unscrew the thumb fastener, then push right the release button, slide it back and lifting off.



Installing the Power module into AccuRAID:

Insert a Power module then fasten the screw.

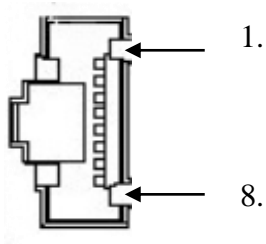


The Power indicator will turn bright "Green" to indicate it has powered on

Appendix A

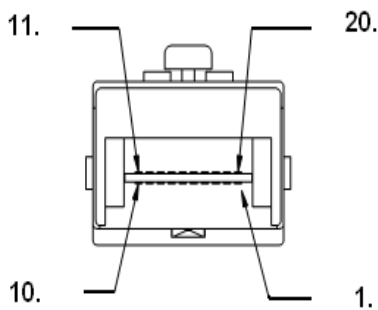
Connectors

Ethernet RJ-45 Connector



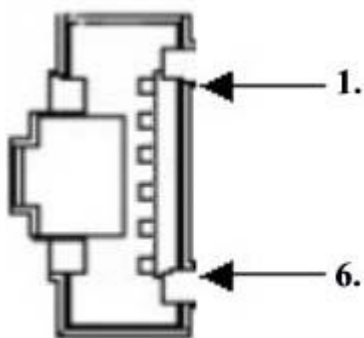
Pin#	Signal Name
1	TX+
2	TX-
3	RX+
4	NC
5	NC
6	RX-
7	NC
8	NC

Fibre SFP



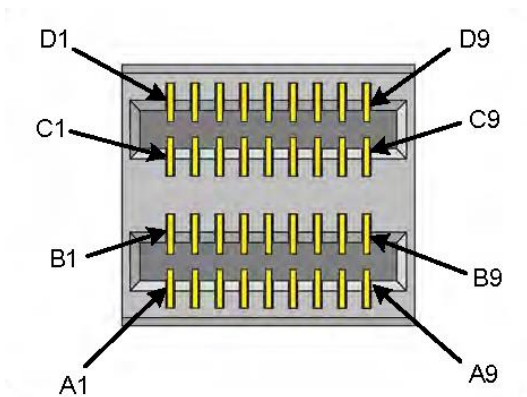
Pin#	Signal Name
1	VEFT
2	TFault
3	TDis
4	MOD_DEF(2)
5	MOD_DEF(1)
6	MOD_DEF(0)
7	Rate Select
8	LOS
9	VEER
10	VEER
11	VEER
12	RD-
13	RD+
14	VEER
15	VCCR
16	VCCT
17	VEET
18	TD+
19	TD-
20	VEET

RJ-11



Pin#	Signal	Pin#	Signal
1	NC	6	NC
2	GND		
3	RX		
4	TX		
5	CTS		

miniSAS HD (SFF-8644)



Signal	Pin Number#
Rx 0+	B4
Rx 0	B5
Rx 1+	A4
Rx 1	A5
Sideband 7	A1
Sideband 3	B1
Sideband 4	C1
Sideband 5	D1
Rx 2+	B7
Rx 2	B8
Rx 3+	A7
Rx 3	A8
Tx 0+	D4
Tx 0	D5
Tx 1+	C4
Tx 1	C5
Sideband 0	A2
Sideband 1	B2
Sideband 2	C2
Sideband 6	D2
Tx 2+	D7
Tx 2	D8
Tx 3+	C7
Tx 3	C8
SIGNAL GROUND	A3, A6, A9, B3, B6, B9, C3, C6, C9, D3, D6, D9

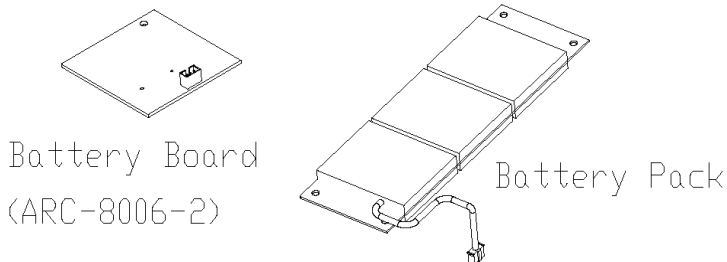
Appendix B

Battery Backup Module (BBM)

The external RAID controller operates using cache memory. The battery Backup Module is an add-on module that provides power to the external RAID controller cache memory in the event of a power failure. The Battery Backup Module monitors the write back cache on the external RAID controller, and provides power to the cache memory if it contains data not yet written to the hard drives when power failure occurs.

BBM

Specifications



Mechanical

Module Dimension (W x H x D): 50 x 10 x 147 mm

Battery Board (W x H x D): 45 x 14 54 mm

BBM Connector

3 x Pins Connector

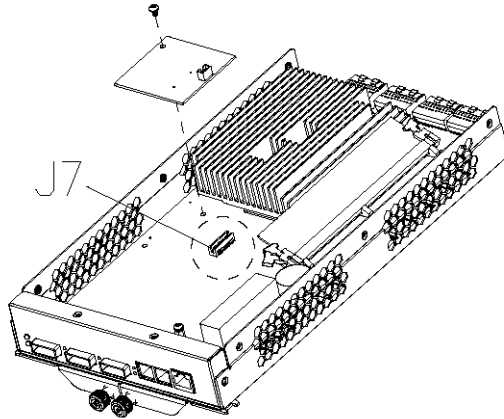
Input Voltage

+3.6 VDC

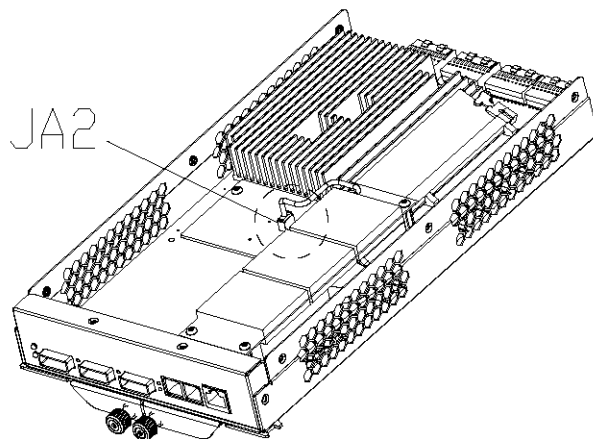
On Board Battery Capacity

3900MAH (3*1300MAH)

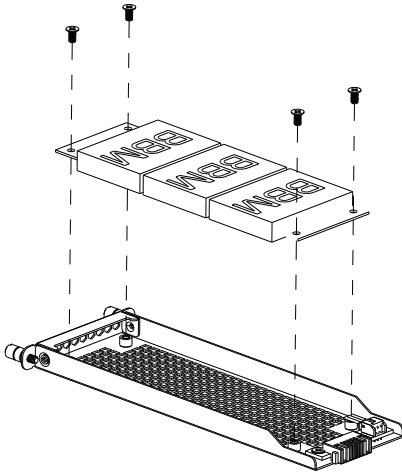
- Install Battery board into controller's J7 /J8 connector, location is shown as bellowing :



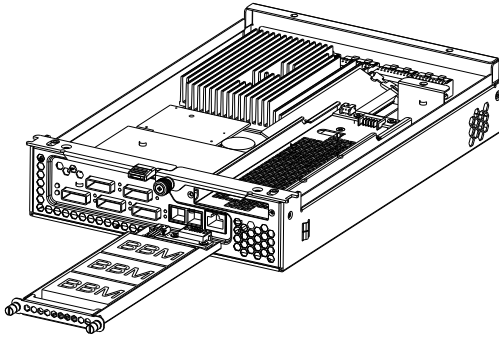
- Insert the 3pin Connector into Battery Board's JA2 connector.



- Install the BBM and fasten 4 screws.on BBM carrier.
- Plug in the BBM's connector into socket on carrier



- Plug the BBM carrier into the controller and fasten the thumb screws.



Battery Backup Capacity

Battery backup capacity is defined as the maximum duration of a power failure for which data in the cache memory can be maintained by the battery. The BBM's backup capacity varied with the memory chips that installed on the external RAID controller

Capacity	Memory Type	Battery Backup duration (Hours)
2GB Memory	DDR3-1333	98
4GB Memory	DDR3-1333	83

Operation

- Battery conditioning is automatic. There are no manual procedures for battery conditioning or preconditioning to be performed by the user.
- Battery had a tendency to “remember” its capacity. In order to make sure of all the capacity of your battery cells, allow the battery cell to be fully charged when installed for the first time. The first time charge of battery cells takes about 24 hours to complete.

Removing the Battery Backup Module

The battery module will need to be removed for one of the following reason:

- Disconnect battery module if there is a long storage period before deployment
- The LI-ION battery will no longer accept a charge properly.



NOTE

Specifications subject to change without notice.
