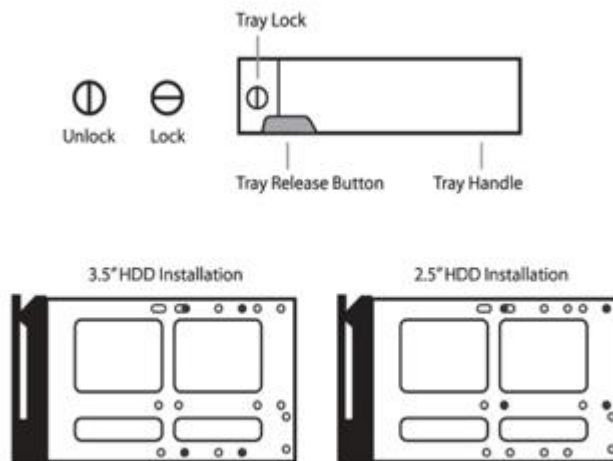


AccuRAID SAS Quick Installation Guide

Hard Drive Installation

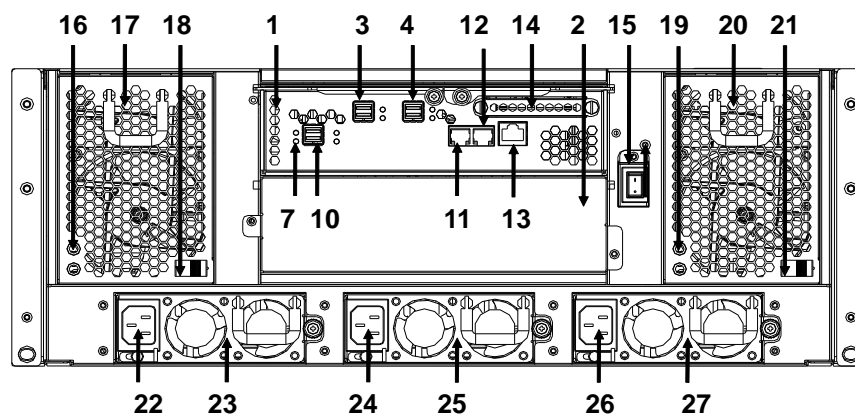
1. Make sure the tray is at unlock position. If the tray is locked, turn the lock clockwise using the provided key.
2. Press the button on the tray to eject the handle
3. Place the hard drive in the tray, and fasten it with the screws (included in the package) in corresponding locations at the bottom of the tray.
4. Place the tray into the enclosure and insert the tray by pushing in the tray handle.
5. Lock the tray if desire, using the provided key, by turning the lock counter-clockwise.

NOTE: Tray support both 2.5" and 3.5" hard drives. Please use the correct hard drives holes.

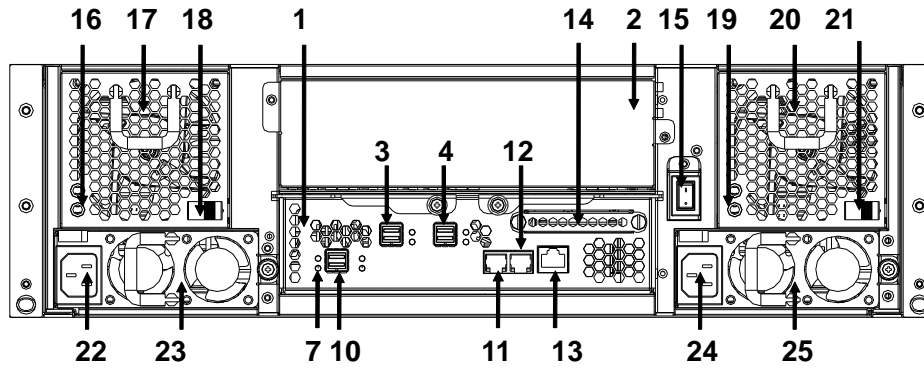


Product Diagrams

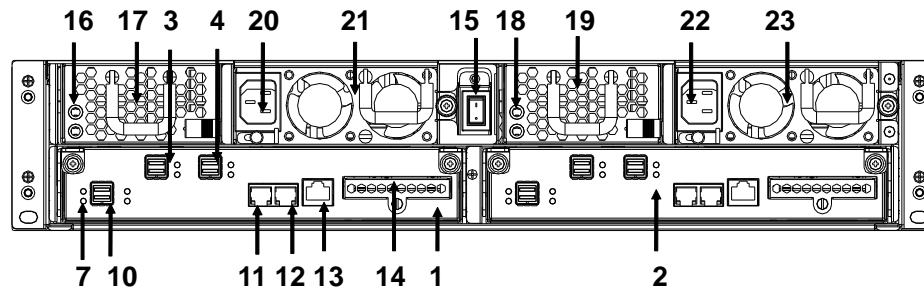
Unit Backplane – AR424X12(R)



Unit Backplane – AR316X12(R)



Unit Backplane – AR212X12(R)



1. Controller Box 1.
2. Controller Box 2
3. SAS CH 1 & LED Indicator
4. SAS CH 0 & LED Indicator

LED	Colors	Indicate
SAS	Green	Link
	Blue + Blink	Access

5. Reserved (For FC unit only)
6. Reserved (For FC unit only)
7. RAID Controller Status LED & Fault LED Indicator

LED	Colors	Indicate
Status	Green + Blink	Raid Controller OK
Fault	Red	Raid Controller Fault

8. (Reserved)

9. (Reserved)

10. SAS Expand Port 0 & LED Indicator

LED	Colors	Indicate
SAS	Green	Link
	Blue + Blink	Access

11. Console

12. Terminal

13. LAN port

14. Battery Backup Module

15. Power Switch

16. FAN failure indicator (Rear / Front)

17. FAN Module 1

18. FAN failure indicator (Rear / Front)

19. FAN Module 2

20. AC inlet 1 & Latch

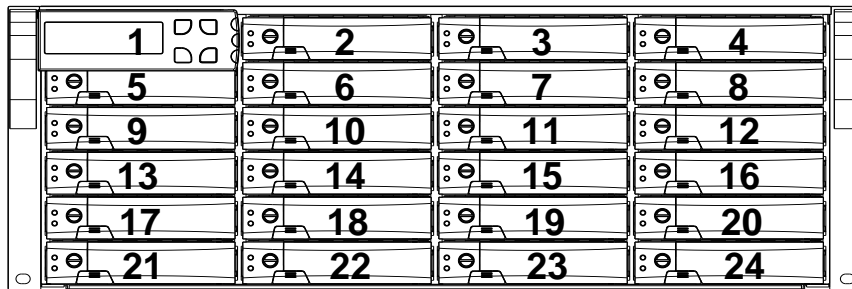
21. Power Module 1

22. AC inlet 2 & Latch

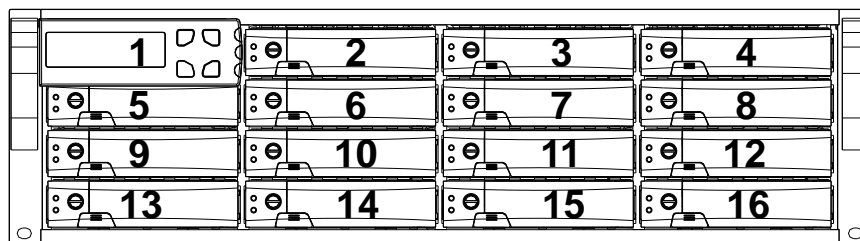
23. Power Module 2

Hard Drive Locations

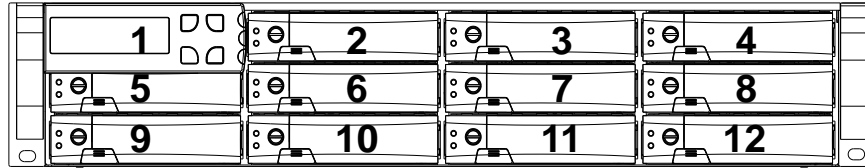
4U 24 bay model: AR424X12(R)



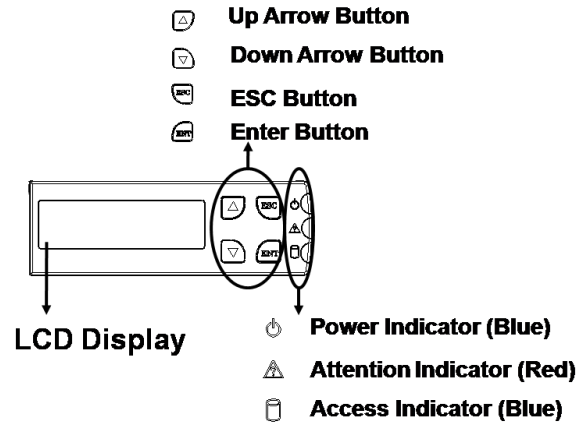
3U 16 bay model: AR316X12 (R)



2U 12 bay model: AR212X12 (R)



LCD Module



Function keys. (ENT, ESC, Scroll up, Scroll Down)

Keys	Descriptions
Up Arrow	To scroll upward through the menu items
Down Arrow	To scroll downward through the menu items
(ENT) Enter	To confirm a selected item
(ESC) ESC	To exit a sub-menu and return to previous menu.

Install AccuRAID RAID subsystem in a Rack

A rackmounting kit is bundled with AccuRAID subsystem. AccuRAID subsystem is designed for installation into an industry-standard 19-inch rackmount cabinet. Following below section for installing the AccuRAID subsystem into a rackmount:

Install the Slide Rails

1. Combine Left slide rail and rear slide rail.
2. Measure the depth of the rack enclosure, then fasten 4 of P4*8M screws into M4 Locking nuts to fix the length.
3. Use T5*8M screws and PW14 washer to install the left slide on Front and rear Posts of Rack as Figure 1.
4. repeat procedure 1 ~ 3 to install the right Slide into the Rack.

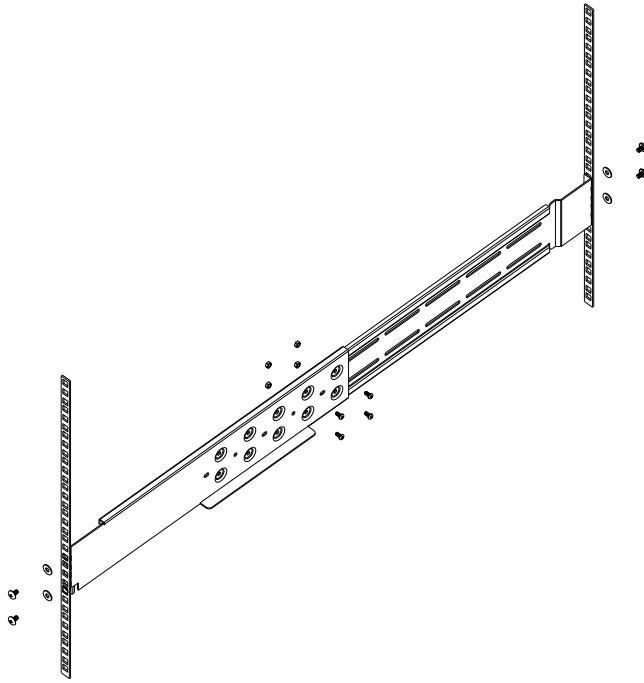


Figure 1.

Place the AccuRAID Subsystem into the rack

1. Lift the subsystem enclosure and slide it slowly and gently along the slide rail into the rack as Figure 2.

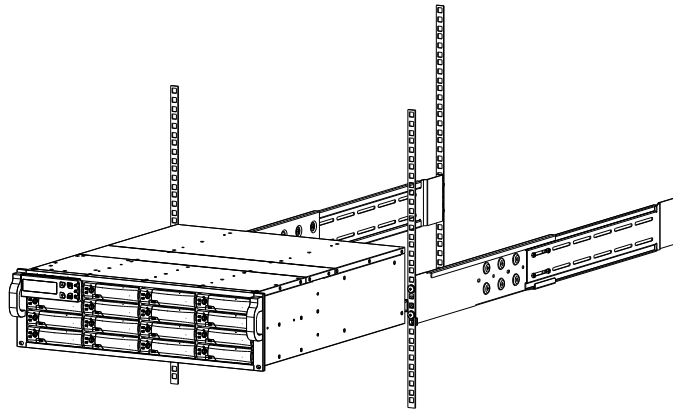


Figure 2.

2. Fasten two M5 screws through the chassis ears in the front side of the chassis to secure the AccuRAID subsystem in the rack as Figure 3.

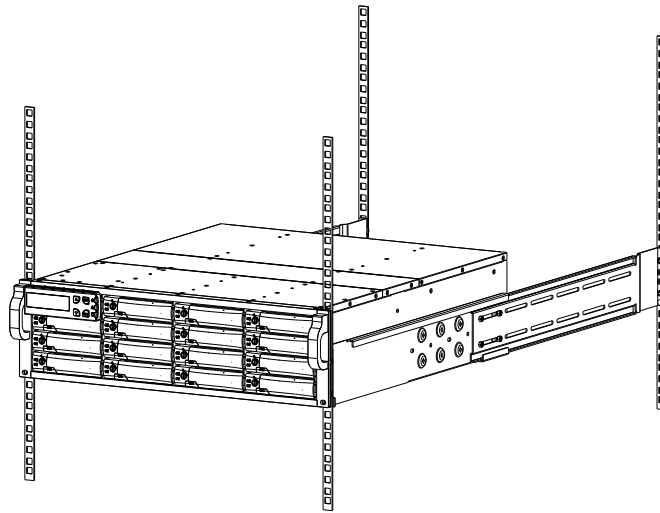


Figure 3.

Hardware Connection Instructions

1. Power off all devices.
2. Connect the host connection cables. For mini-SAS models connect the SAS cables to the SAS HBA on the server.
3. Connect the LAN cable to the local network. Make sure it is on the same network of the host computer/server. Web based management can reach as long as they are on the same network.
4. Connect the power cable. Please make sure connect each redundant power supply with the power cables. The use of UPS, uninterrupted power supply, is higher recommended.
- 5, Connect AccuSTOR Expansion JBOD system if desire. Please refer to below diagrams for connections.

Management Methods

There are three management methods to manage AccuRAID series, describe in the following:

Web browser based RAID Manager

Web browser based RAID manager provide access to RAID unit's status via any OS's web browsers. Connect to the RAID unit's Ethernet port to network and you can access the information. The default setup as below:

IP Address: DHCP (Display in the front LCD)
Web address: http://IP_address
Login name: admin
Default password: 0000

Console Serial Port

Use NULL modem cable to connect console port of the RAID subsystem.

The console setting is baud rate: 115200, 8 bits, 1 stop bit, and no parity.
Terminal type: vt100

Login name: admin
Default password: 0000

LCD Module

All of the features within web based management GUI and console serial port can be accessed using the front LCD display.

Default password: 0000

Controllers, Hard Drives and Front LED indicators

For the host connections port LED indicators (Fibre channel):

LED	Colors	Indicate
FC	Green	16 Gbps Link
	Amber	8 Gbps Link
	Green+Amber+Blink	4 Gbps Link
	Blue + Blink	Access

For Raid Controller Status LED & Fault LED Indicator:

LED	Colors	Indicate
Status	Green + Blink	Raid Controller OK
Fault	Red	Raid Controller Fault

For SAS Expand Port LED Indicator:

LED	Colors	Indicate
SAS	Green	Link
	Blue + Blink	Access

For Front Panel LED indicator:

LED Indicator	Normal Status	Problem Indication
Power On indicator	Bright Blue	This LED does not light up after power switched on
Fail Indicator	LED never light up	LED light up as Red.
Data Access Indicator	Blink blue during host computer accessing the RAID subsystem.	LED never flickers

Hard Drives Trays LED indicator:

LED Indicator	Normal Status	Indicate
Power / Access LED	Solid Blue	Link
	Flashing Blue	Access
Fail LED	No LED	Normal
	RED	Hard Drives Failure

Detail Manuals

Both detailed hardware and software installation manual is located on the CD. Please refer to detail manuals for hardware installations, RAID setup, software setup as well as trouble-shooting information.